

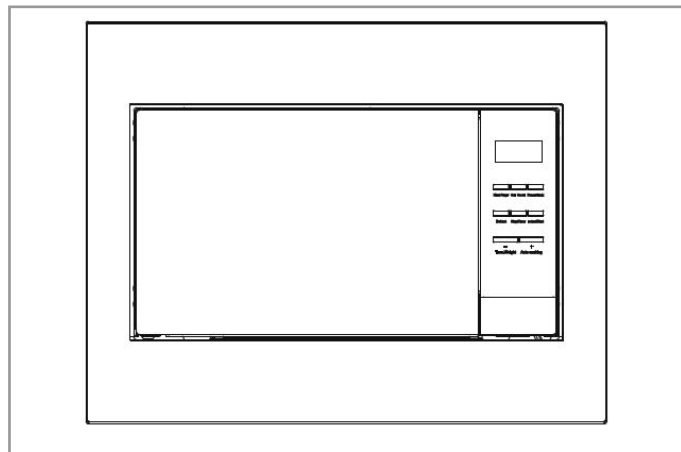
# MICROWAVE OVEN

## Owner's Instructions

**FOCALPOINT**

Focal Point Fires plc.  
Christchurch, Dorset BH23 2BT  
Tel: 01202 499330  
Fax: 01202 499326  
[www.focalpointfires.co.uk](http://www.focalpointfires.co.uk)  
e : [sales@focalpointfires.co.uk](mailto:sales@focalpointfires.co.uk)

**MODELS COVERED BY THESE INSTRUCTIONS**  
**23UG37-19V MICROWAVE OVEN**



Please note: Except where otherwise stated, all rights, including copyright in the text, images and layout of this booklet is owned by Focal Point Fires plc. You are not permitted to copy or adapt any of the content without the prior written permission of Focal Point Fires plc.

**All instructions must be handed to the user for safekeeping.**

Revision C - 08/19

© 2019 Focal Point Fires plc.

Section	Contents	Page No.	Section	Contents	Page No.
1.0	Safety Precautions	2	5.0	Product Instructions	8
2.0	Installation	3	6.0	Operating The Control Panel	9
3.0	Appliance Data	4	7.0	Cooking Tips	15
4.0	Cleaning	7	8.0	Maintenance and Servicing	16

## 1.0 SAFETY PRECAUTIONS

The following basic precautions should always be followed when using electrical appliance:

1. Read all instructions before using.
2. Make sure the voltage in your living area corresponding to the one shown on the rating label of the appliance. And the wall socket is properly grounded.
3. To reduce the risk of fire in the oven cavity:
  - a. Do not overcook the food.
  - b. Remove wire twist -ties from paper or plastic bags before placing bags in the oven.
  - c. Do not heat oil or fat for deep drying as the temperature of oil cannot be controlled.
  - d. After use wipe the waveguide cover with a damp cloth, followed by dry cloth to remove any food splashes and grease. Built-up grease may overheat and begin to cause smoke or catch fire.
  - e. If materials inside the oven should smoke or ignite, keep oven door closed, turn oven off and disconnect the power supply.
  - f. When heating food in plastic or paper containers, keep an eye on the oven due to the possibility of ignition.
4. To reduce the risk of explosion and sudden boiling:
  - a. **WARNING:** Liquids and other foods must not be heated in sealed container since they are liable to explode; Baby bottles fitted with a screw cap or teat are considered to be sealed containers.
  - b. Use the wide -mouthed container to cook liquid, and the cooked liquid should not be removed out immediately. Several moments should be waited before removing. In order to avoid possible hazards caused by delayed eruptive boiling of liquids.
  - c. Potatoes, sausage and chestnut should be peeled or pierced before cooking. Eggs in their shell, whole hard -boiled eggs should not be heated in microwave ovens since they may explode, even after microwave heating has ended.
  - d. The contents of feeding bottles and baby food jars are to be stirred or shaken and the temperature is to be checked before consumption, in order to avoid burns.
5. If the supply cord is damaged, it must be replaced by the manufacturer or its service agent or a qualified technician in order to avoid a shock hazard.
6. After cooking, the container is very hot. Using gloves to take out the food and avoid steam burns by directing steam away from the face and hands.
7. Slowly lift the furthest edge of dishes cover and microwave plastic wrap and carefully open popcorn and oven cooking bags away from the face.
8. To prevent the turntable from breaking:
  - a. Let the turntable cool down before cleaning.
  - b. Do not place hot foods or utensils on the cold turntable.
  - c. Do not place frozen foods or utensils on the hot turntable.
9. Make sure the utensils do not touch the interior walls during cooking.
10. Only use utensils that are suitable for use in microwave ovens.
11. Do not store food or any other things inside the oven.
12. Do not operate the oven without any liquid or food inside the oven. This would do damage the oven.
13. When the appliance is operated in the combination mode, children should only use the oven under adult supervision due to the temperatures generated.
14. Any accessories not recommended by the manufacturer may cause injuries to persons.
15. Do not use outdoors.
16. Save these instructions.
17. **WARNING:** If the door or door seals are damaged or the oven is malfunctioned, the oven must not be operated until it has been repaired by a competent person;
18. **WARNING:** It is hazardous for anyone other than a competent person to carry out any service or repair operation that involves the removal of a cover which gives protection against exposure to microwave energy;
19. If smoke is emitted, switch off or unplug the appliance and keep the door closed in order to stifle any flames;
20. Microwave heating of beverages can result in delayed eruptive boiling; therefore care must be taken when handling the container;
21. Do not use harsh abrasive cleaners or sharp metal scrapers to clean the oven door glass since they can scratch the surface, which may result in shattering of the glass.
22. The lamp of microwave oven is not intended for other purposes.

## 1.0 SAFETY PRECAUTIONS

GB IE

23. The appliances are not intended to be operated by means of an external timer or separate remote -control system.
24. This appliance is intended to be used in household and similar applications, such as:
- Staff kitchen areas in shops, offices and other working environments;
  - Farm houses;
  - By clients in hotels, motels and other residential environments;
  - Bed and breakfast type environments.
25. The microwave oven is intended for heating food and beverages. Drying of food or clothing and heating of warming pads, slippers, sponges, damp cloth and similar may lead to risk of injury, ignition or fire.
26. This appliance can be used by children aged from 8 years and above and persons with reduced physical, sensory or mental capabilities or lack of experience and knowledge if they have been given supervision or instruction concerning use of the appliance in a safe way and understand the hazards involved. Children shall not play with the appliance. Cleaning and user maintenance shall not be made by children unless they are older than 8 and supervised. Keep the appliance and its cord out of reach of children less than 8 years.
27. This appliance is not intended for use by persons (including children) with reduced physical, sensory or mental capabilities, or lack of experience and knowledge, unless they have been given supervision or instruction concerning use of the appliance by a person responsible for their safety.
28. Children should be supervised to ensure that they do not play with the appliance.
29. A steam cleaner is not to be used.
30. The door or the outer surface may get hot when the appliance is operating.
31. **WARNING:** Accessible parts may become hot during use. Young children should be kept away.
32. During use the appliance becomes hot. Care should be taken to avoid touching heating elements inside the oven.
33. The surfaces are liable to get hot during use.



**: CAUTION: HOT SURFACE**

Household use only

## 2.0 APPLIANCE DATA

<b>Model</b>	<b>23UG37-19V</b>
<b>Rated voltage</b>	<b>220-240V</b>
<b>Rated power frequency</b>	<b>50Hz</b>
<b>Total capacity</b>	<b>23L</b>
<b>Input power</b>	<b>1400W</b>
<b>Output power</b>	<b>900W</b>
<b>Grill power</b>	<b>900-1000W</b>
<b>Microwave frequency</b>	<b>2450MHZ</b>
<b>Turntable diameter</b>	<b>267mm</b>
<b>Power levels</b>	<b>5</b>
<b>Microwave dimensions</b>	<b>Width 593.5mm Height 458.5mm Depth 375.1mm</b>

## 3.0 INSTALLATION

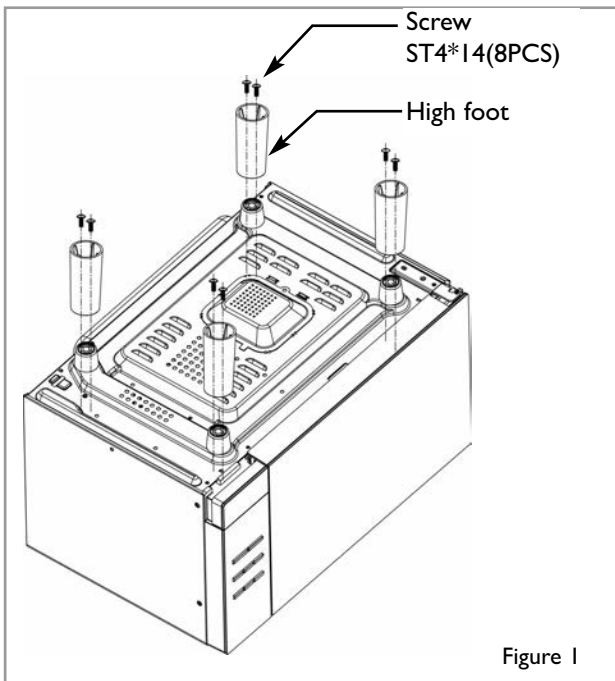
GB IE

- 1) The position of the oven shall be such that it is far from the TV, Radio or antenna as picture disturbance, or noise may occur.
- 2) The appliance must be positioned so that the plug is accessible.
- 3) This is a cabinet microwave oven, which is subject to PRECAUTIONS and INSTALLATION below.

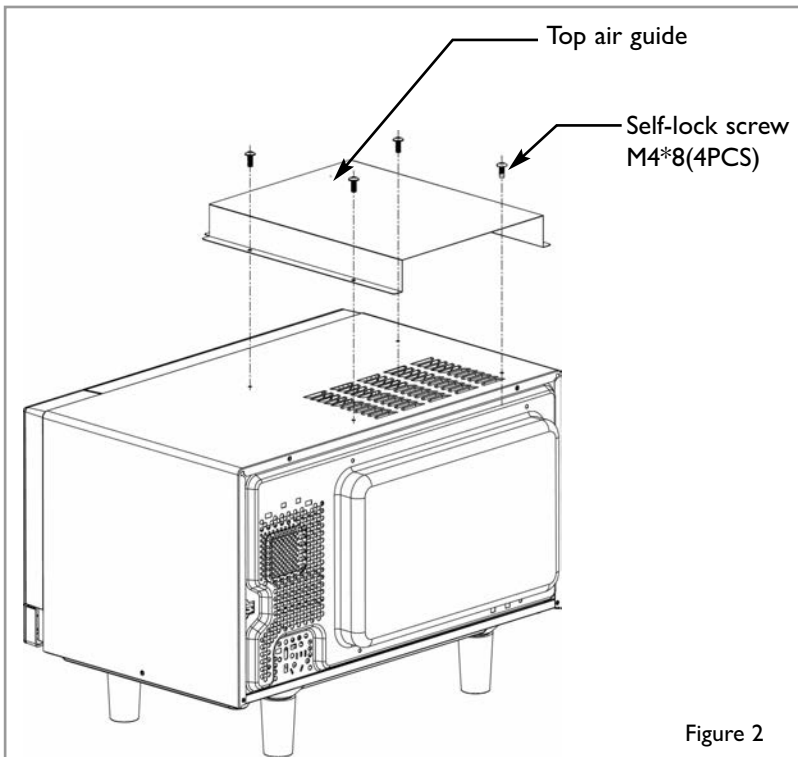
### ① PRECAUTIONS:

Given the limited room of the cabinet, the microwave oven must be installed under the following instructions so as to avoid danger.

- A) Intake and exhaust port position, as shown in Fig.4.
  - B) Net depth  $\geq 550\text{mm}$ , as shown in Fig.4.
  - C) Reference plate thickness between 18 and 20mm.
- A) Install the high feet with self-lock screws, as shown in Fig.1



- B) Installation of top air guide, as shown in Fig.2.



C) Installation of holder, as shown in Fig.3

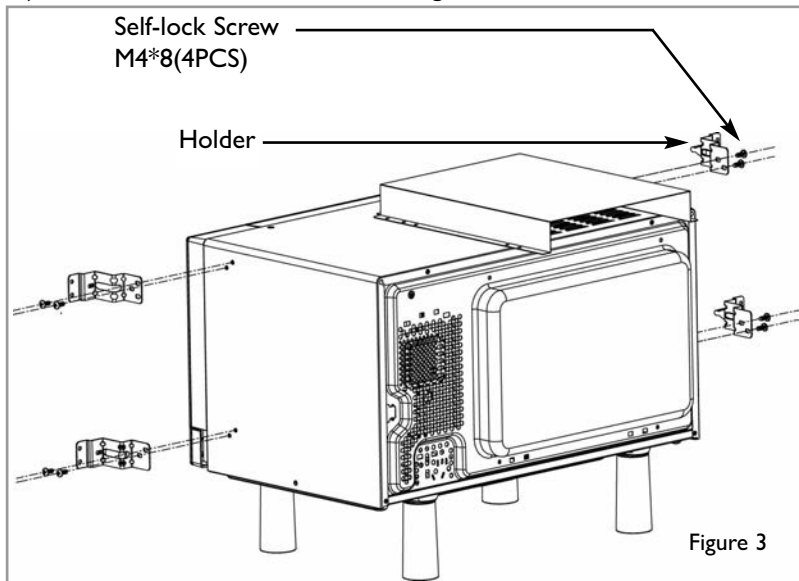


Figure 3

D) Place microwave oven into cabinet, and then fix it with wood screws, as shown in Fig.4

Cabinet details:

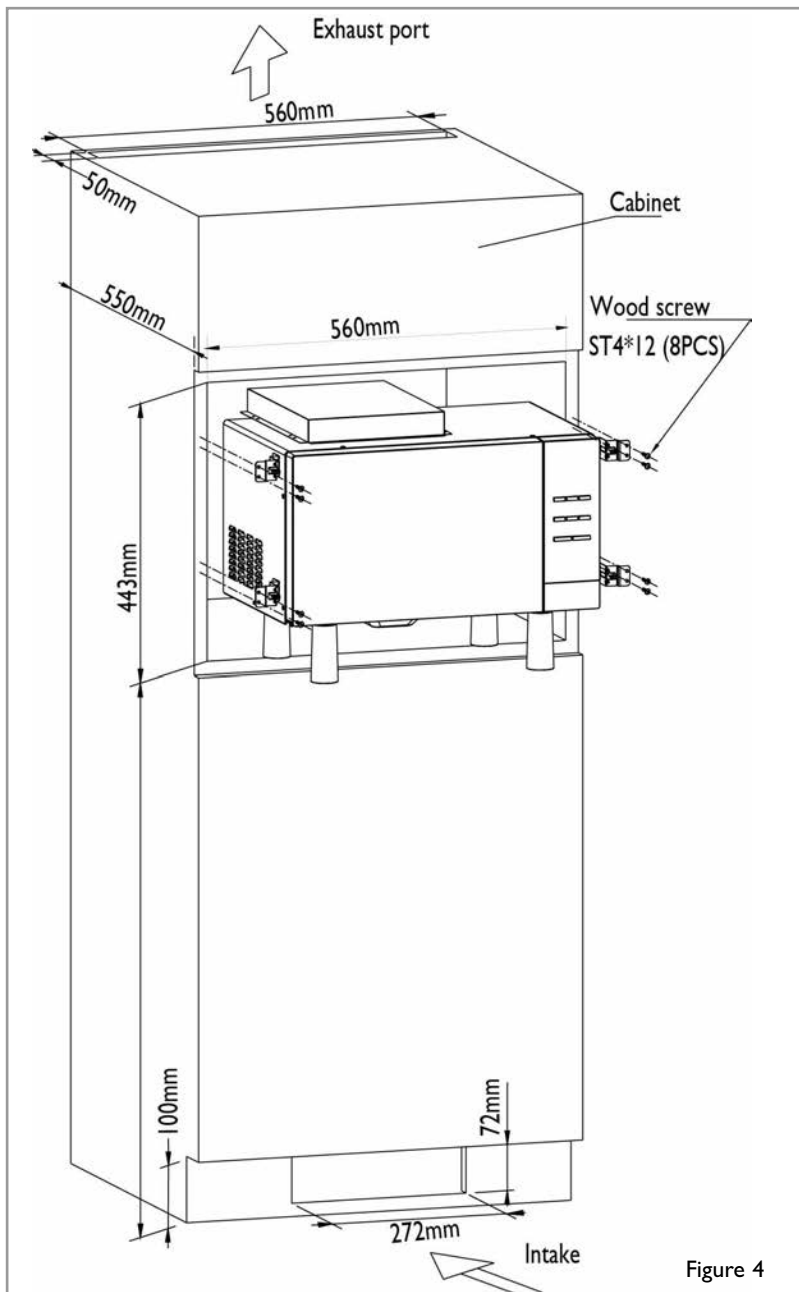
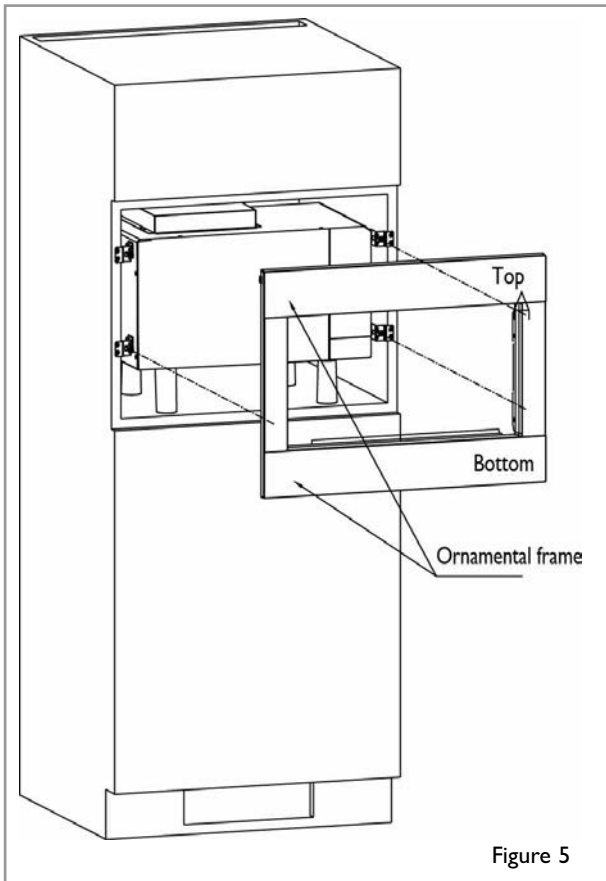


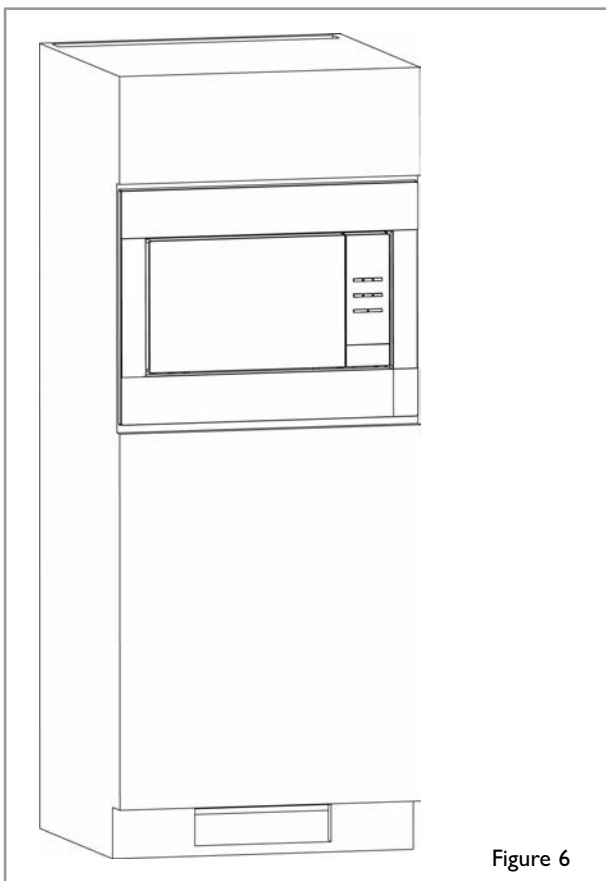
Figure 4

Cavity: (L) 560mm\*(H) 443mm\*(D) 550mm;  
 Intake: (L)≥272mm\*(W)≥72mm  
 Exhaust Port: (L) ≥560mm\*(W)≥50mm

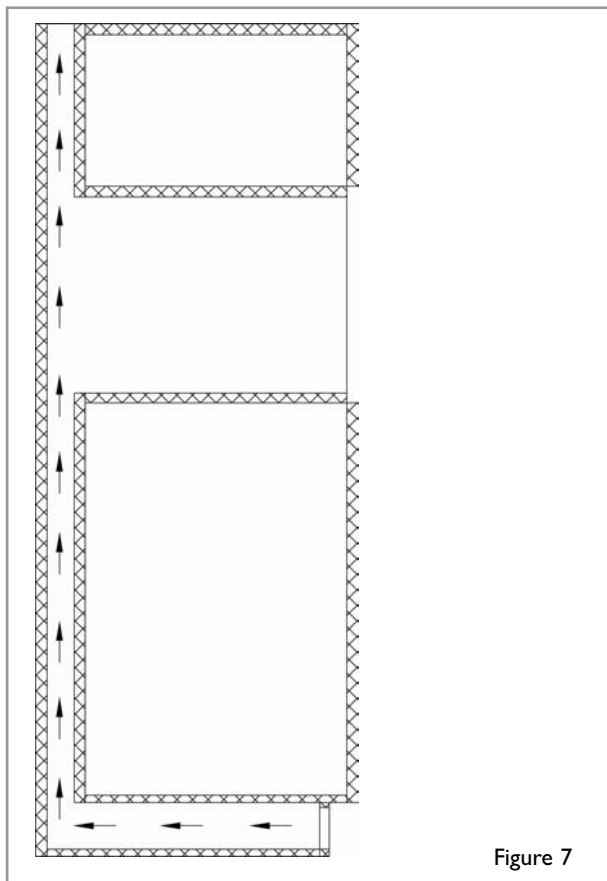
E) Secure ornamental frame to holders, as shown in Fig.5.



F) Final assembly as shown in Fig.6.



G) Cabinet airflow chart as shown in Fig.7.



## 4.0 CLEANING

### MICROWAVE OVEN CARE

#### CAUTION

The oven should be cleaned regularly and any food deposits removed.

#### WARNING

1. Remove the power cord from the wall outlet before cleaning. Don't immerse the appliance in water or other fluids when cleaning.
2. Failure to maintain the oven in a clean condition could lead to deterioration of the surface that could adversely affect the life of the appliance and possibly result in a hazardous situation
3. Never use hard detergent, gasoline, abrasive powder or metal brush to clean any part of the appliance
4. Do not remove the waveguide cover
5. When the microwave oven has been used for a long time, there may be some strange odors exist in oven, Following 3 methods can get rid of them:
  - a. Place several lemon slices in a cup, then heat with high Micro Power for 2-3 min.
  - b. Place a cup of red tea in oven, then heat with high micro power.
  - c. Put some orange peel into oven, and then heat them with high Micro Power for 1 minute.
6. **WARNING:** Only allow children to use the oven without supervision when adequate instructions have been given so that the child is able to use the oven in a safe way and understands the hazards of improper use;

### TIPS FOR CLEANING

Details for cleaning door seals, cavity and adjacent parts:

Exterior:

Wipe the enclosure with a dampened soft cloth

Door:

Using a dampened soft cloth, wipe clean the door and window

Wipe the door seals and adjacent parts to remove any spill or spatter

Wipe the control panel with a slightly dampened soft cloth

**Interior walls:**

Wipe clean the cavity with a dampened soft cloth

Wipe clean the waveguide cover to remove any food splashed

**Turntable/ Rotation ring/ Rotation axis:**

Wash with mild soap water

Rinse with clean water and allow drying thoroughly

## 5.0 PRODUCT INSTRUCTIONS

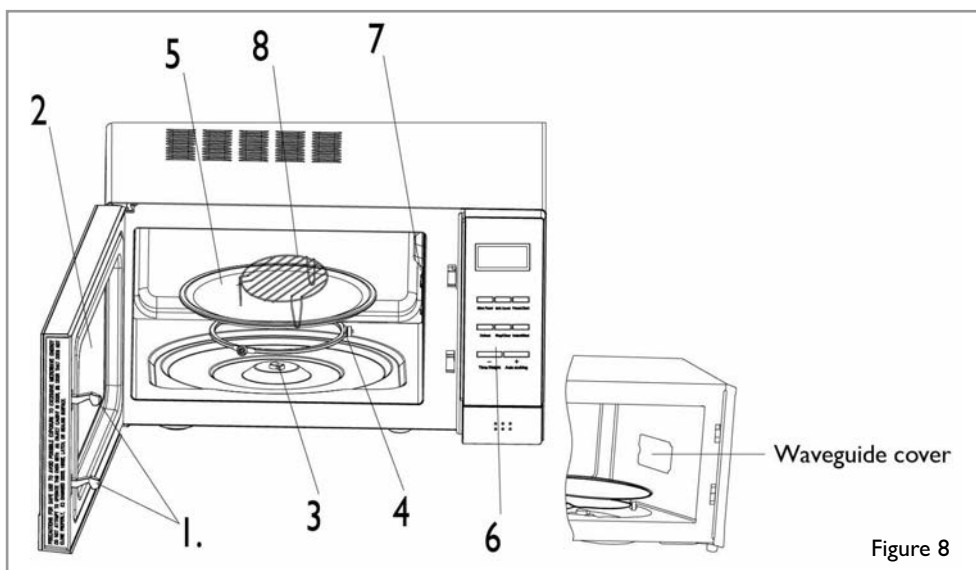


Figure 8

#### 1) Door lock

Microwave oven door must be properly closed in order for it to operate

#### 2) Viewing window

Allow user to see the cooking status

#### 3) Rotating axis

The glass turntable sits on the axis; the motor underneath it drives the turntable to rotate

#### 4) Rotating ring

The glass turntable sits on its wheels; it supports the turntable and helps it to balance when rotating

#### 5) Turntable

The food sits on the turntable, its rotation during operation helps to cook food evenly

#### ⚠ CAUTION

- Place the rotating ring first
- Fit the turntable onto the rotating axis and make sure that it is geared in properly

#### 6) Control panel

See below in details (the control panel is subject to change without prior notice)

#### 7) Waveguide cover

It is inside the microwave oven, next to the wall of control panel.

#### ⚠ WARNING

Never remove the waveguide cover

#### 8) Grill rack

Use to place the roasting food.



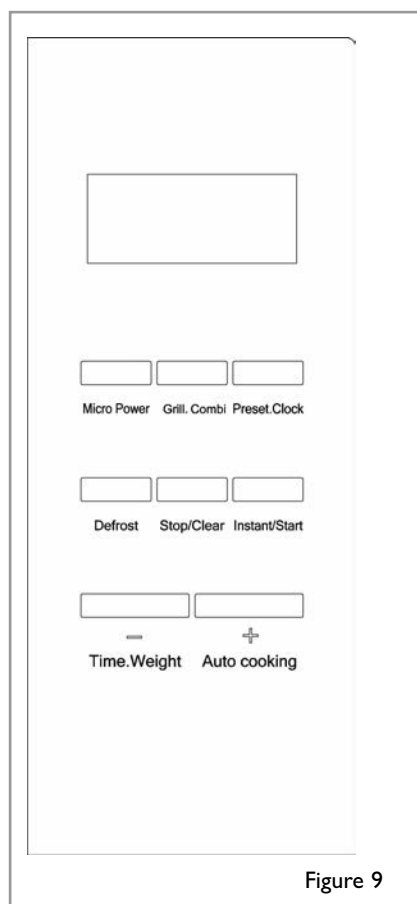


Figure 9

### 1. BEFORE COOKING

The LED flashes 3 times when plugged in power supply. Then it flashes “:”, prompting you to input the cooking menu and time.

### 2. AUTO COOKING/TIME.WEIGHT BUTTON

You can increase or decrease cooking time, weight or set auto cooking menu during operation by pressing Auto Cooking/ Time.Weight button.

### 3. STOP/CLEAR

At the initial or input stage: press once to cancel input programs and resume initial stage. During cooking: press once to stop oven operation, press twice to cancel cooking programs.

### 4. AUTO REMINDER

When your preset cooking procedure have finished, the LED Display will show End and three beeps sound will be heard to prompt you to take out food. If you do not press Stop/Clear button once or open the door, the beep will be sounded at an interval of 3 minutes.

### 5. CLOCK SETTING

Clock button make it available for you to input current or preset time. When “:” flashes onto LED display after plugged in, or try to skip it over to continue if unnecessary.

#### Example: to set 12:30

	Steps	Display
1	After power-up, the colon flashes	:
2	Press Preset. Clock button once	0:00
3	Press Auto Cooking/Time Weight button to set exact hours.	12:00
4	Press Preset. Clock button once again.	12:00
5	Press Auto Cooking /Time Weight button to set exact minutes.	12:30
6	Press Preset. Clock button once again or wait for 5 seconds, and the numbers will go steadily.	

### 6. MICROWAVE COOKING

This function is used for cooking and heating food. Press **Micro Power** button, LED cycles to show 100P — 80P — 60P — 40P — 20P.

High power	100% microwave power. Applicable for quick and thorough cooking
Medium high power	80% microwave power. Applicable for medium express cooking
Medium power	60% microwave power. Applicable for steaming food
Medium low power	40% microwave power. Applicable for defrosting food
Low power	20% microwave power. Applicable for keeping warm

#### CAUTION

- The max time which can be set is 60 minutes
- Never operate the oven empty.
- Never use the grill rack during microwave cooking.
- If you turn the food during operation, press the **Instant/Start** button once and the preset cooking procedure will continue.
- If you intend to remove the food before the preset time, you must press **Stop/Clear** button once to clear the preset procedure to avoid unintended operation of next time use.
- At the maximum microwave power, the oven will automatically lower the power after a certain time of cooking to lengthen the service life.

#### Example: To cook at P80 for 10 minutes.

	Steps	Display
1	After power-up, the colon flashes	:
2	Select the desired microwave power by pressing <b>Micro Power</b> button consecutively	80P
3	Set cooking time by pressing Auto <b>Cooking/Time Weight</b> button	10:00
4	Press <b>Instant/Start</b> button to start and LED will count down to show running time.	

### 7. GRILL AND GRILL COMBINATION

This function use for grill food, Press this button LED display will cycle to show G-C.1-C.2.

<b>G</b>	Grill, the heat element will be energized during operation time. Which is applicable for rolling thin meats or pork, sausage, chicken wing as good brown colour can be obtained
<b>C.1</b>	Combination of grill and microwave cooking. 30% of time microwave output and 70% of time grilling
<b>C.2</b>	Combination of grill and microwave cooking. 55% of time microwave output and 45% of time grilling

#### CAUTION

In the mode of grill/combi, all of the oven parts, as well as the rack and cooking containers, may become very hot. Use caution when removing any item from the oven. Use heavy potholders or oven mitts to PREVENT BURNS.

**Example: To grill food with C2 cook menu for 10 minutes**

	Steps	Display
1	After power-up, the colon flashes	:
2	Press <b>Grill .Combi</b> button to select desired grill menu	C.2
3	Set cooking time by pressing <b>Time.Weight/Auto cooking</b> button	10:00
4	Press <b>Instant/Start</b> to start cooking	

### 8. DEFROST

This function use for defrost food; Press the Defrost button and the LED display will cycle to show d.1-d.2-d.3.

<b>D.1</b>	For defrosting meat, the weight range from 0.1 to 2.0 kg.
<b>D.2</b>	For defrosting poultry, the weight range from 0.2 to 3.0kg.
<b>D.3</b>	For defrosting seafood, the weight range from 0.1 to 0.9kg.

### CAUTION

- a. It is necessary to turn over the food during operation to obtain uniform effect.
- b. Usually defrosting will need longer time than that of cooking the food.
- c. If the food can be cut by knife, the defrosting process can be considered completed.
- d. Microwave penetrates around 4cm into most food
- e. Defrosted food should be consumed as soon as possible, it is not advised to put back to fridge and freeze again.

**Example: To defrost 0.4kg poultry**

	Steps	Display
1	After power-up, the colon flashes	:
2	Press <b>Defrost</b> button to set the food kind.	D.2
3	Press <b>Auto Cooking/Time Weight</b> button to set the defrost weight	0.4
4	In half way during defrosting beep sounds will be heard to prompt you turn over the food. Open the door and turn over the food. Then close the door. Press Instant/start button again to continue defrosting	

### 9. AUTO COOKING

The oven has default cooking menu for simple operation. When the LED flash colon, press the **Auto Cooking** button and LED will cycle to show A.1, A.2 ..... A.8

Choose the appropriate menu according to the food type and weight and strictly observe the directions in below table, otherwise the cooking effect will be largely influenced.

Display	Kind	Method
<b>A1</b>	Popcorn	Suitable for popping a bag of corn, which is available in the market, weighted 3.0Oz(85g). Popcorn prior to completing, if the popping speed has been decreased to 1 time per 1-2 seconds you should press <b>Stop/Clear</b> button to stop the popping process
<b>A2</b>	Popcorn	Same as A.1 except 3.5Oz(100g) weight
<b>A3</b>	Pizza	Warm a piece of chilled pizza of 0.15 kg
<b>A4</b>	Beverage	Heating a cup of 250 ml liquid. The liquid temperature is about 5-10°C. Use a big mouth cup and do not seal
<b>A5</b>	Beverage	Heating a cup of 500 ml liquid. The liquid temperature is about 5-10°C. Use a big mouth cup and do not seal
<b>A6</b>	Potato	Cooking the potato strips, cut into 5mm width and height, length. Total weight is about 0.45kg. Place the strips on a large dish and cover the dish with a thin film to prevent water loss
<b>A7</b>	Potato	Same as A.6 except the weight of potato strips is about 0.65 kg
<b>A8</b>	Fish	Suitable for steaming a fish of 0.45kg. After the fish washed and scales removed, make a slits on the skin of fish .Put the fish on a shallow dish of 22-27cm diameter sprinkle lightly with some ingredient and cover the dish with a thin film to prevent water loss. After cooking, stand for 2 minutes.

### CAUTION

- a. The temperature of food before cooking would be 20-25°C. Higher or lower temperature of the food before cooking would require increase or decrease of cooking time.
- b. The temperature, weight and shape of food will largely influence the cooking effect. If any deviation has been found to the factor noted on above menu, you can adjust the cooking time for best result.

### Example: Steam 0.45kg fish

	Steps	Display
<b>1</b>	After power-up, the colon flashes	:
<b>2</b>	Press <b>Auto Cooking/Time Weight</b> button to set the cooking menu	A:8
<b>3</b>	Start cooking by pressing <b>Instant/Start</b> button and LED will count down to show running time.	0.4

**10. AUTOMATIC STARTING (DELAYED FUNCTION)**

If you do not want the menu be started immediately, you can preset the cooking menu and time and the preset menu will be automatically started at your set time. The setting will consist of 2 steps:

- Setting the current clock;
- Setting the cooking menu and time.

**Example: Now it is 12:30 clock, if you hope that the microwave oven will automatically start cooking with 100P microwave power for 9 minutes and 30 seconds at 14:20**

	Steps	Display
1	After power-up, the colon flashes	:
1.1	Press <b>Preset. Clock</b> button	0:00
1.2	Set hours by pressing <b>Auto Cooking/Time Weight</b> button	12:00
1.3	Press <b>Preset. Clock</b> button again to confirm hours	12:00
1.4	Set minutes by pressing <b>Auto Cooking/Time Weight</b> button	12:30
1.5	Press <b>Preset. Clock</b> button once or waiting for 5 seconds, and the numbers will go steady.	12:30
2	Set the cooking menu and time	
2.1	Select cooking power by pressing <b>Micro Power</b> button	100P
2.2	Press <b>Auto Cooking /Time Weight</b> button to set cooking time	9:30
2.3	Press and hold <b>Preset. Clock</b> button for 3 seconds to return to current clock.	
3	Set the time you expect to start. Repeat the steps of 1.2, 1.3, 1.4	
4	Press <b>Preset. Clock</b> button to confirm the delayed menu. Now the program has been activated. And the menu will be started at 14:20.	
5	You may check the preset starting time by pressing <b>Preset. Clock</b> button.	

**11. MULTI-SEQUENCE COOKING**

To obtain best cooking result, some recipes call for different cook mode and time. You may program your personalized menu as follow:

**Example: You want cook food with 100P microwave for 3 minutes then grill for 9 minutes. This is 2 sequence setting.**

	Steps	Display
<b>1</b>	100P microwave for 3min	
<b>1.1</b>	Press <b>Micro Power</b> button to select power level.	100P
<b>1.2</b>	Press <b>Auto Cooking/Time Weight</b> button to set cooking time.	3:00
<b>2</b>	Grill for 9min	
<b>2.1</b>	Press <b>Grill .Combi</b> button to select desired grill menu	G
<b>2.2</b>	Press <b>Auto Cooking/Time Weight</b> button to set cooking time.	9:00
<b>3</b>	Start cooking by pressing <b>Instant/Start</b>	

 **CAUTION**

- a. When microwave power cooking is finished, microwave oven will begin grilling operation automatically.
- b. Max 4 sequences can be set per time, repeat the steps

**12. CHILD LOCK FUNCTION**

Use this feature to lock the control panel when you are cleaning or so that children can not use the oven unsupervised. All the buttons are rendered inoperable in this mode.

- 1) Set lock---Hold **Stop.Clear** button about 3 seconds.
- 2) Cancel lock---Hold **Stop.Clear** button about 3 seconds.

### UTENSILS GUIDELINE

It is strongly recommended to use the containers which are suitable and safe for microwave cooking. Generally speaking, the containers which are made of heat-resistant ceramic, glass or plastic are suitable for microwave cooking. Never use the metal containers for microwave cooking and combination cooking as spark is likely to occur. You can take the reference of below table.

	Microwave	Grill	Combi	Notes
Heat-resistant ceramic	Yes	Yes	Yes	Never use the ceramics which are decorated with metal rim or glazed
Heat-resistant plastic	Yes	No	No	Can not be used for long time microwave cooking
Heat-resistant glass	Yes	Yes	Yes	
Plastic film	Yes	No	No	It should not be used when cooking meat or chops as the over-temperature may do damage to the film
Grill rack	No	Yes	Yes	
Metal container	No	No	No	It should not be used in microwave oven .Microwave can not penetrate through metal.
Lacquer	No	No	No	Poor heat-resistant. Can not be used for High-temperature cooking
Bamboo wood and paper	No	No	No	Poor heat-resistant. Can not be used for High-temperature cooking

## 7.0 COOKING TIPS

The following factors may affect the cooking result:

### Food arrangement

Place thicker areas towards outside of dish, the thinner part towards the centre and spread it evenly. Do not overlap if possible.

### Cooking time length

Start cooking with a short time setting, evaluate it after it times out and extend it according to the actual need. Over cooking may result in smoke and burns.

### Cooking food evenly

Food such as chicken, hamburger or steak should be turned once during cooking.

Depending on the type of food, if applicable, stir it from outside to centre of dish once or twice during cooking

### Allow standing time

After cooking times out, leave the food in the oven for an adequate length of time, this allows it to complete its cooking cycle and cooling it down in a gradual manner

### Whether the food is done

Colour and hardness of food help to determine if it is done, these include:

- Steam coming out from all parts of food, not just the edge
- Joints of poultry can be moved easily
- Pork or poultry shows no signs of blood
- Fish is opaque and can be sliced easily with a fork

### Browning dish

When using a browning dish or self-heating container, always place a heat-resistant insulator such as a porcelain plate under it to prevent damage to the turntable and rotating ring.

### Microwave safe plastic wrap

When cooking food with high fat content, do not allow the plastic wrap come into contact with food as it may melt  
Microwave safe plastic cookware

Some microwave safe plastic cookware might not be suitable for cooking foods with high fat and sugar content. Also, the preheating time specified in the dish instruction manual must not be exceeded

### Microwave safe plastic cookware

Some microwave safe plastic cookware might not be suitable for cooking foods with high fat and sugar content. Also, the preheating time specified in the dish instruction manual must not be exceeded

## 8.0 MAINTENANCE AND SERVICING

Please check the following before calling for services.

1. Place one cup of water (approx. 150ml) in a glass measure in the oven and close the door securely. Oven lamp should go off if the door is closed properly. Let the oven work for 1 min.

2. Does the oven lamp light?

3. Does the cooling fan work?

(Put your hand over the rear ventilation openings.)

4. Does the turntable rotate?

(The turntable can rotate clockwise or counter clockwise. This is quite normal.)

5. Is the water inside the oven hot?

If "NO" is the answer to any of the above questions, please check your wall socket and the fuse in your meter box.

If both the wall socket and the fuse are functioning properly, CONTACT YOUR NEAREST SERVICE CENTER APPROVED.

### SERVICING SAFEGUARDS

#### CAUTION: MICROWAVE RADIATION

1. The high voltage capacitor remains charge after disconnection; short the negative terminal of H.V capacitor to the oven chassis (use a screwdriver) to discharge before touching.

2. During servicing below listed parts are liable to be removed and give access to potentials above 250V to earth.

- Magnetron
- High voltage transformer
- High voltage capacitor
- High voltage diode
- High voltage fuse

3. The following conditions may cause undue microwave exposure during servicing.

Improper fitting of magnetron;

Improper matching of door interlock, door hinge and door;

Improper fitting of switch support;

Door, door seal or enclosure has been damaged.

### Correct Disposal of this product



This marking indicates that this product should not be disposed with other household wastes throughout the EU. To prevent possible harm to the environment or human health from uncontrolled waste disposal, recycle it responsibly to promote the sustainable reuse of material resources. To return your used device, please use the return and collection systems or contact the retailer where the product was purchased. They can take this product for environmental safe recycling.